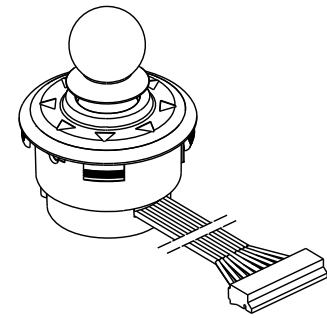
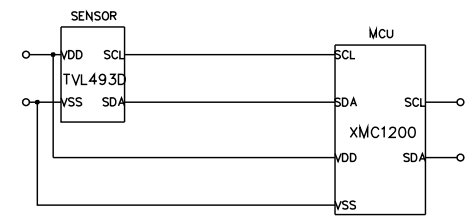


| DIMENSION    | TOLERANCE |
|--------------|-----------|
| BELOW 10 mm  | ± 0.3     |
| 10~100 mm    | ± 0.5     |
| ABOVE 100 mm | ± 0.8     |
| ANGLE        | ± 3°      |

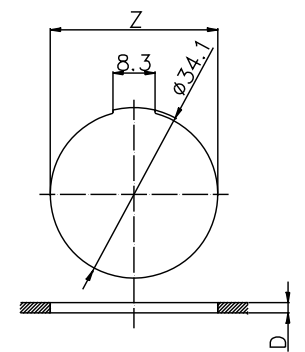
Well Buying Industrial Co.  
 Ltd.  
 TRIAL PRODUCT  
 R & D DEPARTMENT



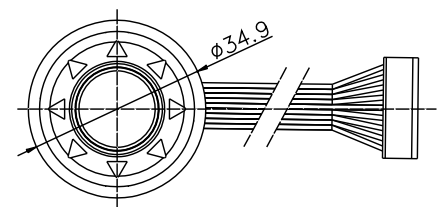
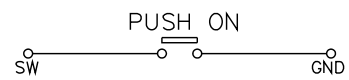
CIRCUIT DIAGRAMS



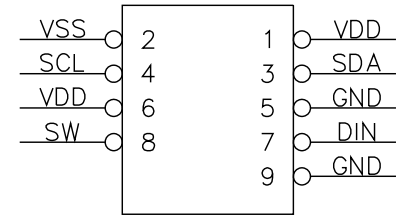
PANEL CUT OUT



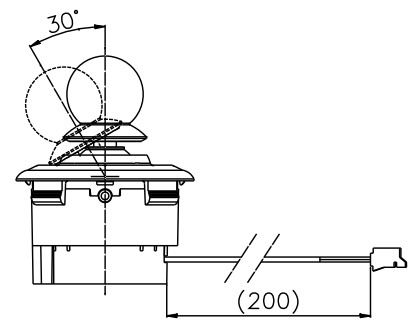
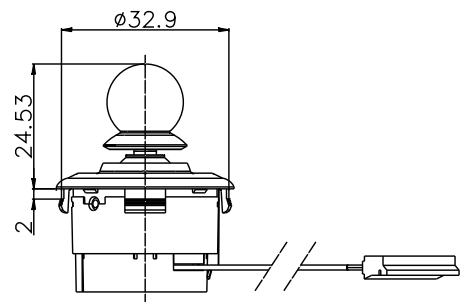
SWITCH CIRCUIT DIAGRAMS



PIN DEFINITION



| Z       | D         |
|---------|-----------|
| 2.0~2.5 | 33.3~33.5 |
| 2.5~3.0 | 33.5~33.7 |



SPECIFICATION :

1. RATING : 5VDC 50mA
2. PUSH OPERATING FORCE : 160±50gf.
3. JOYSTICK OPERATING FORCE : 140±50gf.
4. ROTATIONAL LIFE : 1,000,000 CYCLE
5. OPERATION TEMPERATURE RANGE : -20°C ~ +70°C .

|   |      |          |        |                                |            |        |       |              |                      |
|---|------|----------|--------|--------------------------------|------------|--------|-------|--------------|----------------------|
| △ |      |          |        | DATA                           | 2019/12/30 | UNIT   | mm    | MODE         | JOYSTICK&PUSH SWITCH |
| △ |      |          |        | APPROVAL                       | KAVEN      | SCALE  | 1 : 1 | PART         | TB005-NAAAF-W100C    |
| △ |      |          |        | CONFIRM                        | TEREANCE   | VIEW   | ☉     | 2D FILE NAME | TB005-NAAAF-W100C    |
|   | DATA | APPROVAL | DESIGN | ENGINEERING CHANGE DESCRIPTION | DESIGN     | ROBERT | VER.  | 01           | 3D FILE NAME         |

**WB** Well Buying Industrial Co.,Ltd.