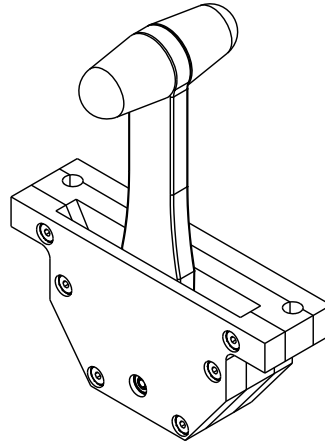
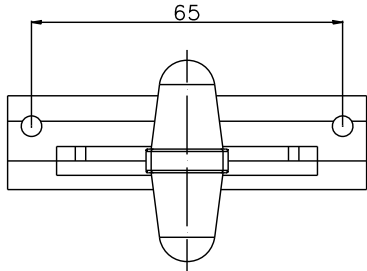
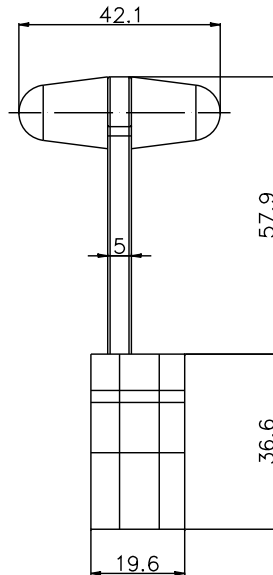
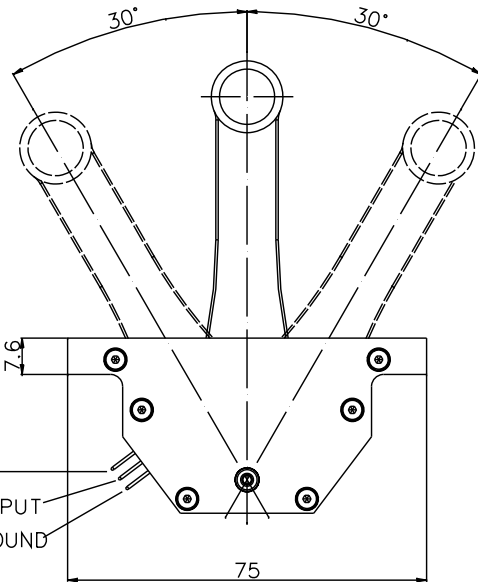


DIMENSION	TOLERANCE
BELOW 10 mm	± 0.3
10~100 mm	± 0.5
ABOVE 100 mm	± 0.8
ANGLE	± 3°



Well Buying Industrial Co., Ltd.  
TRIAL PRODUCT  
R & D DEPARTMENT



SPECIFICATION :

1. RATING : 5 VDC ; 0.2A .
2. INSULATION RESISTANCE : 500 V DC – 100 MΩ MIN .
3. WITHSTAND VOLTAGE : 250 V AC – 1 MINUTE .
4. OPERATING FORCE : 70~150gf.
5. LIFE CYCLE : 1,000,000 CYCLE .
6. OPERATION TEMPERATURE RANGE : -40°C ~ +85°C .

△				DATA	2019/12/26	UNIT	mm	MODE		
△				APPROVAL	KAVEN	SCALE	1 : 1	PART		
△				CONFIRM	TEREANCE	VIEW	⊕ ⊞	2D FILE NAME	TB004-NAAF	
	DATA	APPROVAL	DESIGN	ENGINEERING CHANGE DESCRIPTION	DESIGN	ROBERT	VER.	01	3D FILE NAME	TB004-NAAF

**WB** Well Buying Industrial Co.,Ltd.