



Feature:

- RGB TFT panel.
- Infra-red sensor encoder with push function.
- Long life-cycles, over 1 million cycles.
- ODM products.

Application:

- Audio/Video
- Broadcasting
- White goods
- IPC
- Security system



SWITCH SPECIFICATIONS	
POLE - POSITION	OFF - <ON> , SPST (PUSH)
RESOLUTION	15 PULSES / 360° (ROTARY)
CONTACT RATING	12V DC , 0.2A (PUSH) ; 5V DC , 0.1A MIN. (ROTARY)
CONTACT RESISTANCE	200 mΩ MAX. (PUSH)
OPERATING FORCE	A : 450 ± 150gf / B : 390 ± 100gf
TOTAL TRAVEL	A : 1.25 ± 0.3 mm / B : 0.75 ± 0.3 mm
PANEL SIZE	TFT , 1.22"
PANEL PIXEL	240 X 204
INTERFACE	4-LINE SPI
DRIVER IC	ST7789H2

Physical and electrical information of LED will be provided upon customer's request on switches .

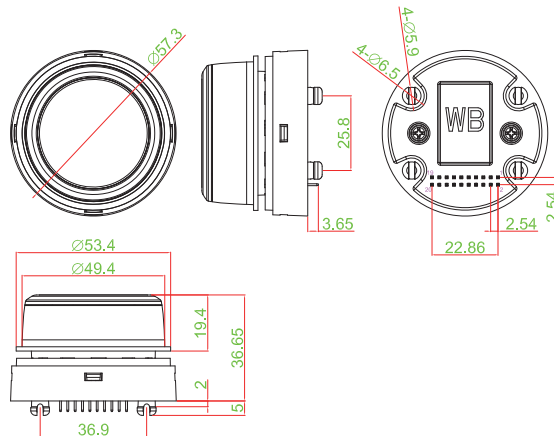
▶ HOW TO ORDER



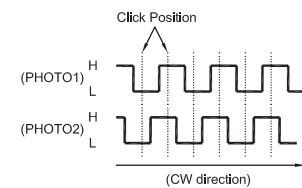
ACTUATION TYPE

A	SOFT FEELING
B	HARD FEELING

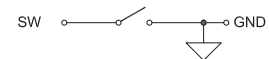
▶ DIMENSION



▶ OUTPUT WAVE (ENCODER)



▶ CIRCUIT DIAGRAM (PUSH BUTTON)



▶ PIN DEFINITION

