



Feature -

compact size  
SMT reflow soldering

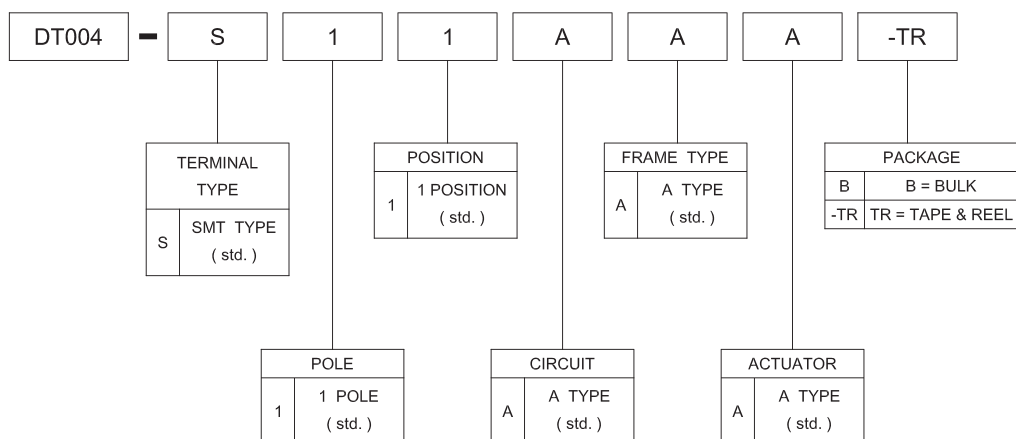
Application -

ideal for various  
electrical applications

► SPECIFICATIONS

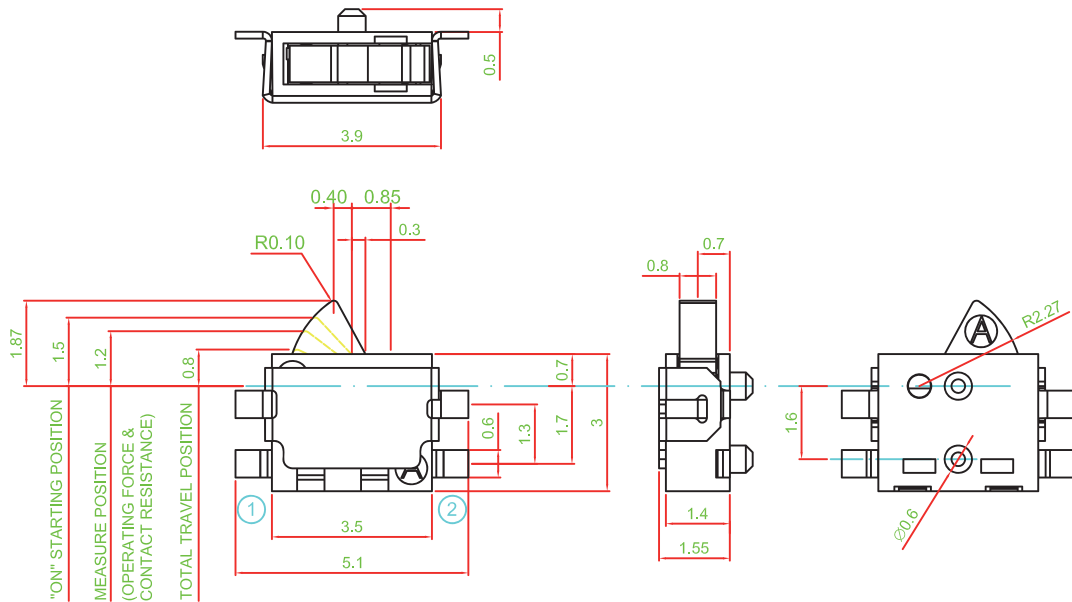
SWITCH SPECIFICATIONS	
POLE - POSITION	Momentary action , 1P1T
CONTACT RATING	5 V DC , 10 mA
CONTACT RESISTANCE	1 Ω MAX. 5 V DC ; 1 A , by Method of Voltage DROP
INSULATION RESISTANCE	100 MΩ MIN. 500 V DC
DIELECTRIC STRENGTH	Breakdown is not Allowable ; 500 V AC for 1 Minute
OPERATING FORCE	30 gf MAX.
OPERATING LIFE	100,000 cycles
OPERATING TEMPERATURE RANGE	-20°C ~ 70°C

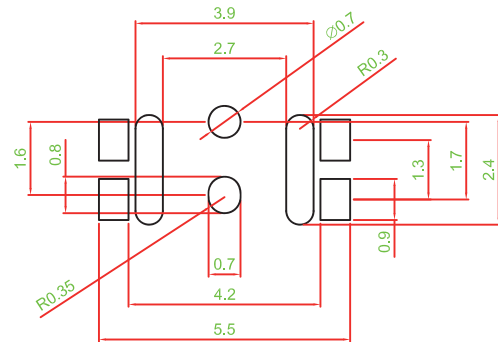
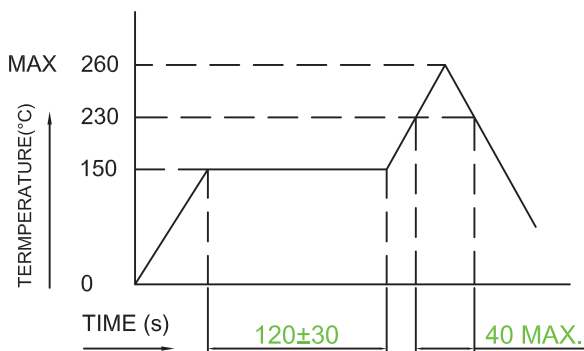
► HOW TO ORDER



**DIMENSION**

DT004-S11AAA □


**CIRCUIT DIAGRAM**

**P.C.B. LAYOUT**

**REFLOW SOLDERING**

**MATERIAL**

- FRAME : LCP + GF
- ACTUATOR : PA + GF
- TERMINAL : SILVER PLATING , GOLD PLATED
- CONTACT : SILVER PLATING , GOLD PLATED