

Feature -

- small size
- SMT reflow soldering

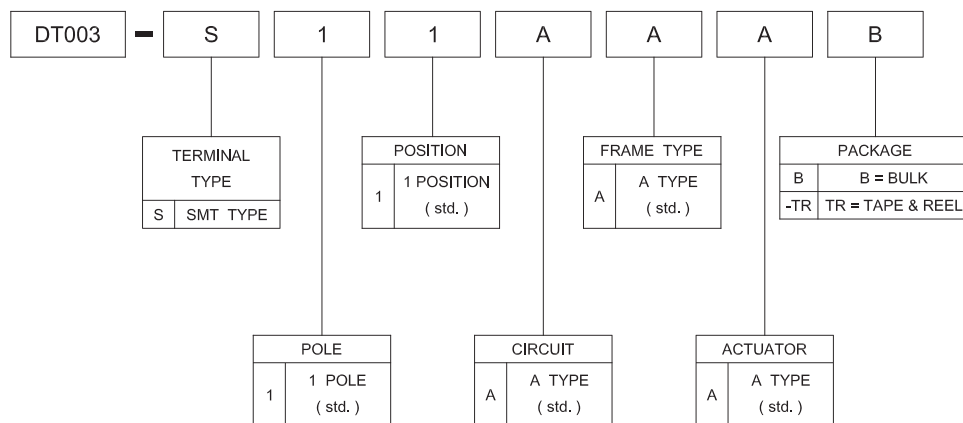
Application -

- detection of position
- mode of mechanism

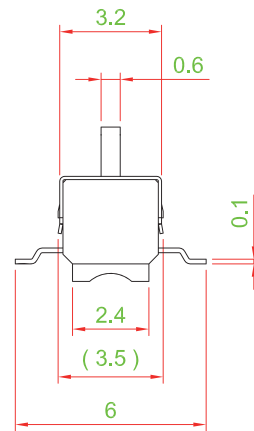
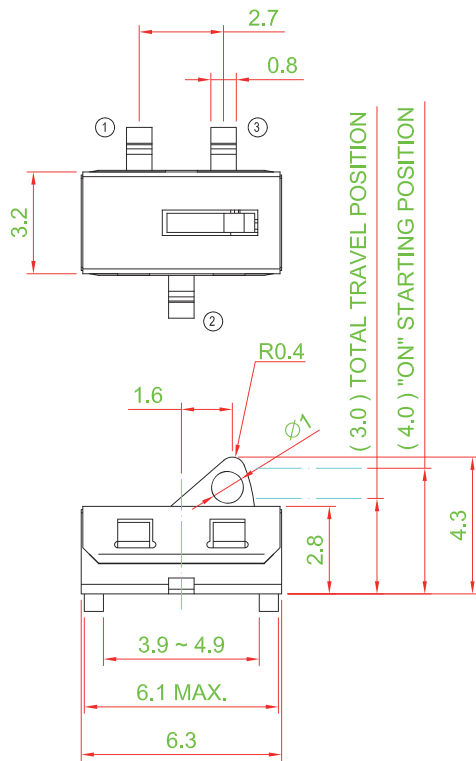
► SPECIFICATIONS

SWITCH SPECIFICATIONS	
POLE - POSITION	Momentary action , 1P1T
CONTACT RATING	5 V DC , 1 mA
CONTACT RESISTANCE	500 mΩ MAX. 5 V DC ; 1 A , by Method of Voltage DROP
INSULATION RESISTANCE	100 MΩ MIN. 500 V DC for 1 minute
DIELECTRIC STRENGTH	Breakdown is not Allowable ; 500 V AC for 1 Minute
OPERATING FORCE	50 gf MAX.
OPERATING LIFE	50,000 cycles
OPERATING TEMPERATURE RANGE	-20°C ~ 70°C

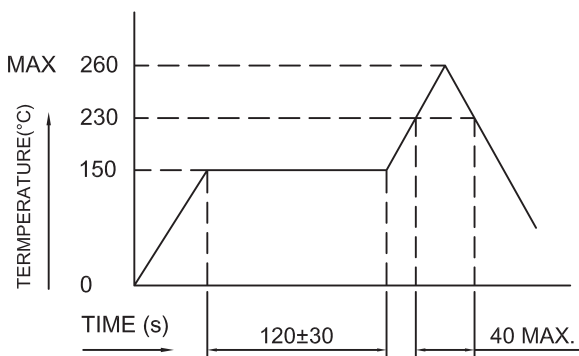
► HOW TO ORDER



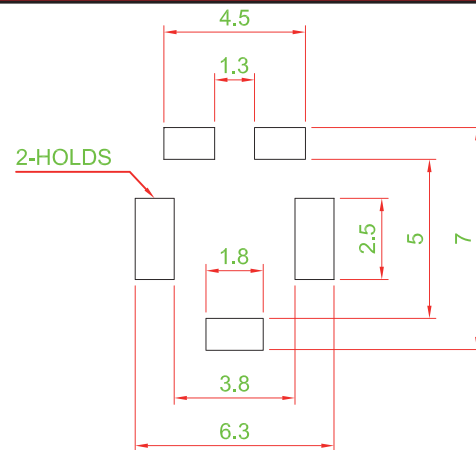
**DIMENSION**



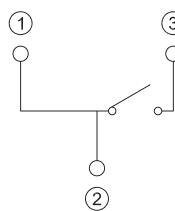
**REFLOW SOLDERING**



**P.C.B. LAYOUT**



**CIRCUIT DIAGRAM**



**MATERIAL**

- COVER : STAINLESS STEEL
- ACTUATOR : PA + GF
- BASE FRAME : PA + GF
- TERMINAL : SILVER PLATING