



Feature -

0.5 mm travel
high reliability

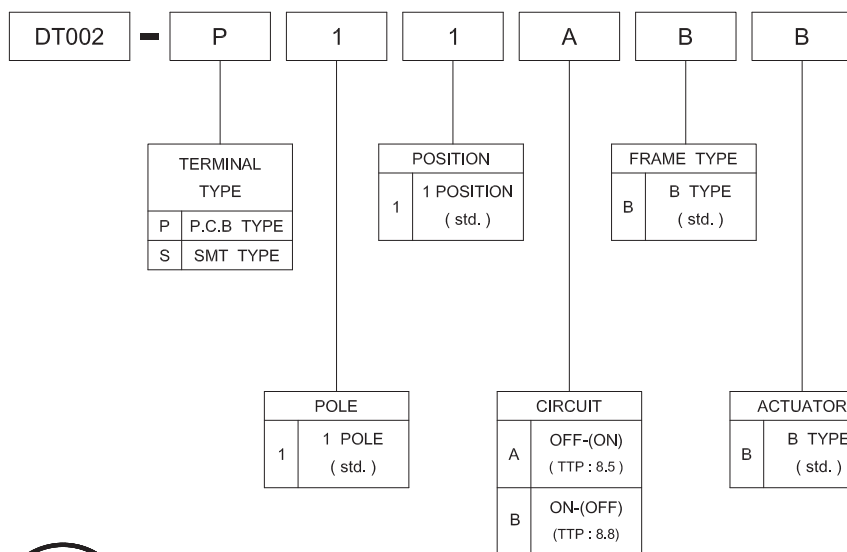
Application -

detection of position
mode of mechanism

► SPECIFICATIONS

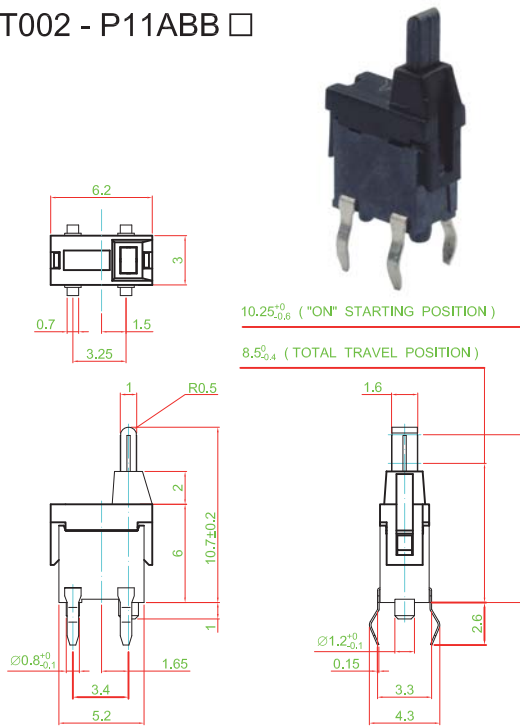
SWITCH SPECIFICATIONS	
POLE - POSITION	Momentary action , 1P1T
CONTACT RATING	30 V DC , 0.1 A
CONTACT RESISTANCE	1 Ω MAX. 1.5 V DC ; 1 A , by Method of Voltage DROP
INSULATION RESISTANCE	100 MΩ MIN. 100 V DC
DIELECTRIC STRENGTH	Breakdown is not Allowable ; 100 V AC for 1 Minute
OPERATING FORCE	35 gf MAX.
OPERATING LIFE	50,000 cycles
OPERATING TEMPERATURE RANGE	-20°C ~ 70°C

► HOW TO ORDER

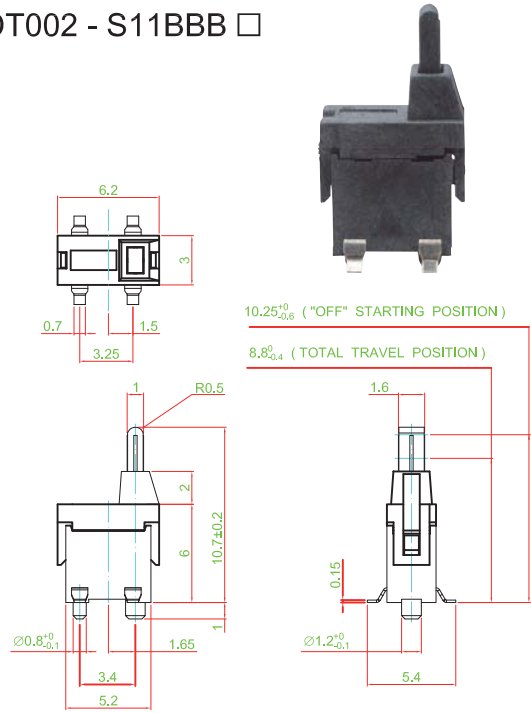


DIMENSION

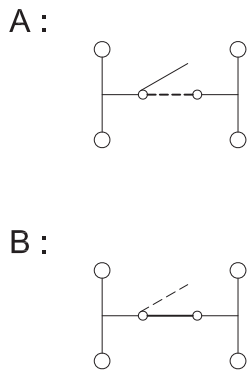
DT002 - P11ABB □



DT002 - S11BBB □

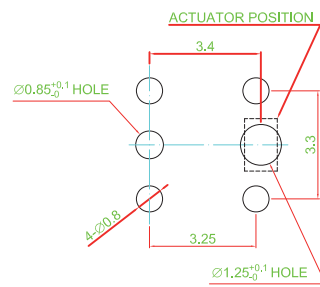


CIRCUIT

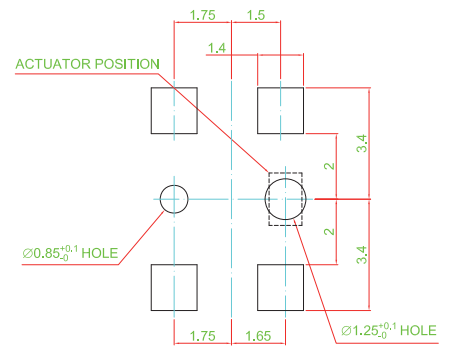


P.C.B LAYOUT

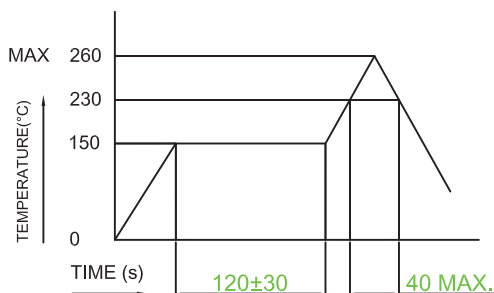
DT002 - P11ABB



DT002 - S11ABB



REFLOW SOLDERING



MATERIAL

- COVER : PA9T
- ACTUATOR : LCP+GF
- BASE FRAME : LCP+GF
- TERMINAL : BRASS SILVER PLATING